

BELLEBANNE®

A-Type Secondary Belt Cleaner

●BELT WIDTH

Belle Banne A-Type belt cleaner is suitable for all belt widths from 450mm-2200mm

●REVERSING CONVEYOR

The Belle Banne A-Type belt cleaner has been purposely designed for use on reversing conveyors. Install one at either end for maximum performance, or just one at the primary discharge end.

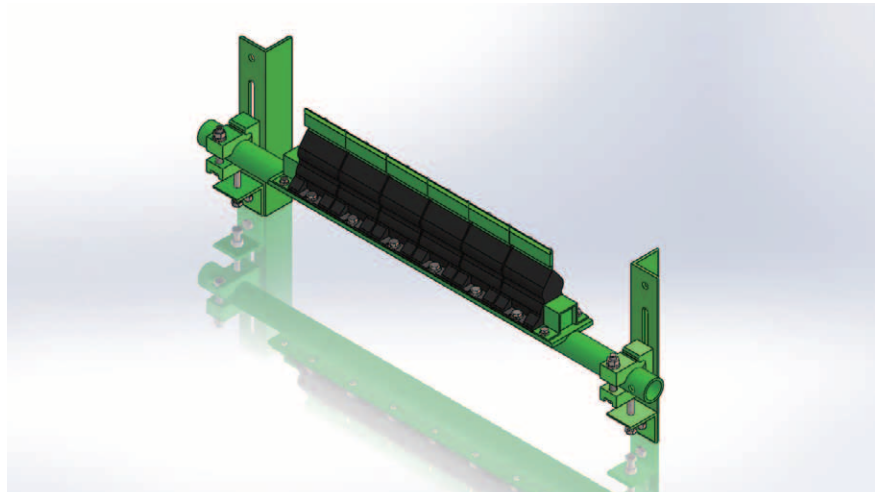
●HEAVY DUTY CONSTRUCTION

Belle Banne cleaner poles are the strongest around. All poles are schedule 80 material, ensuring they are fit for tough mining applications.

●STAINLESS STEEL

Belle Banne cleaners are available in either powder coated mild steel, or 304 stainless steel grade available on request.

.....



The Belle Banne A -Type secondary belt cleaner has segmented tips that individually adjust to troughs or wear of a belt to apply uniform pressure on the entire width of the belt.

A fluid containing rubber tube is placed below the cushion supporting the tips of the A-Type cleaner.

When pressure is applied to the tips from the trough or wear, the tips adjust to the shape independently so that pressure is applied uniformly to the entire belt.

Ideally positioned just back from the head Pulley, the Belle Banne A-Type cleaner is compact enough to fit in most chute Applications and sits close enough to the pulley to ensure the material fines are directed back into the regular material flow.

FEATURES

■SEGMENTED BLADE

The A-Type belt cleaner consists of individual 100mm segmented blades, each one mounted to a rubber cushion.

Separate blades ensure constant blade to belt contact on uneven surface, guaranteeing maximum cleaning performance.

■LONG LASTING TUNGSTEN

Belle Banne has long been the leader in its class when it comes to tungsten. Our tungsten has a proven track record for consistent wear and long blade life. No other tungsten blade comes close.

■SYMMETRICAL CUSHION

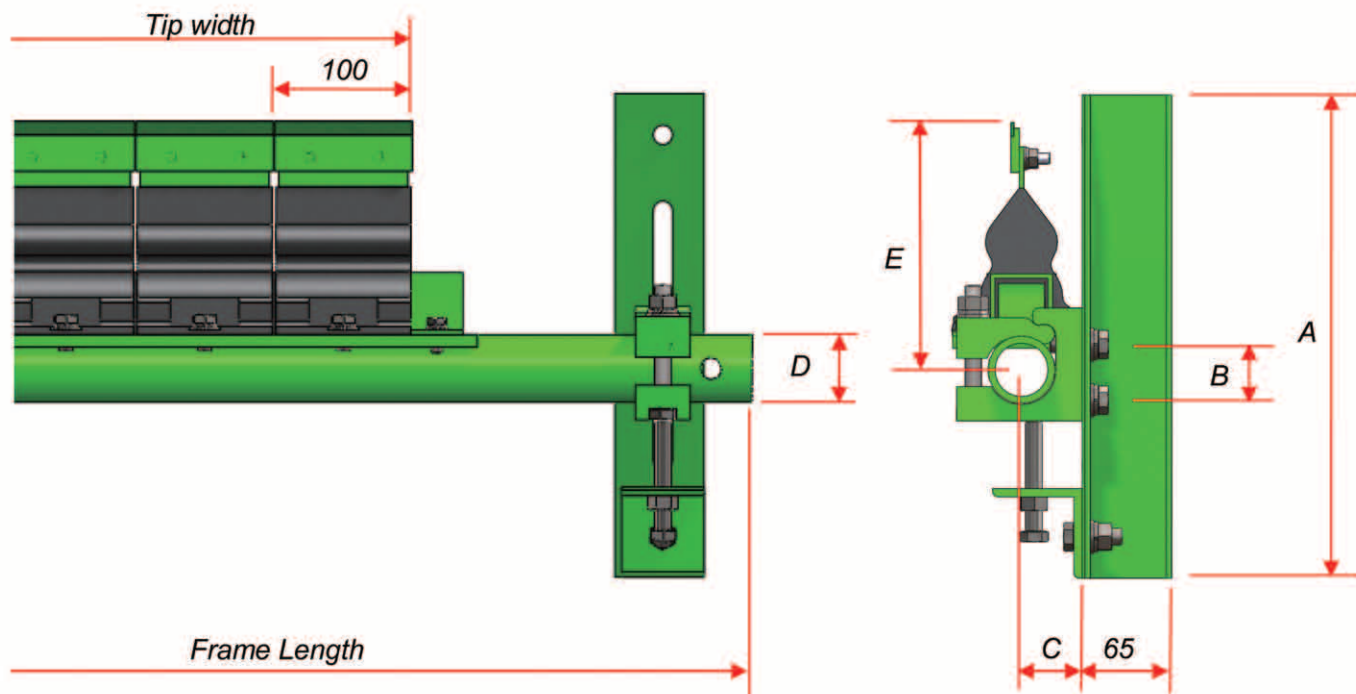
The A-Type symmetrical cushion design ensures the A-Type tips meet the belt at 90 degree to maximize cleaning performance regardless of the direction of travel of your conveyor. Optimally positioned off the head pulley, the Belle Banne A-Type cleaner is a compact design allowing cleaned fines to return to the material flow.



Developing tomorrow for tomorrow's living.
NIPPON TSUSHO CO.,LTD.

A-Type Secondary Belt Cleaner

BELLEBANNE



Belt (mm)	Tip (mm)	Frame Length (mm)	Frame Dia. D (mm)	A	B	C	E	Weight (kg)
450	400	950	φ48.6	350	40	46	177	21.1
500	500	1000	φ48.6	350	40	46	177	23.2
600	600	1100	φ48.6	350	40	46	177	25.6
750	700	1250	φ48.6	350	40	46	177	28.2
900	900	1400	φ48.6	350	40	46	177	32.7
1000	1000	1500	φ48.6	350	40	46	177	35.1
1050	1000	1600	φ48.6	350	40	46	177	35.6
1200	1200	1800	φ60.5	350	50	52	183	44.6
1400	1400	2000	φ60.5	350	50	52	183	49.7
1500	1500	2200	φ60.5	350	50	52	183	52.9
1600	1600	2300	φ60.5	350	50	52	183	55.5
1800	1800	2500	φ76.3	400	55	65	191	74.5
2000	2000	2700	φ76.3	400	55	65	191	80.4
2200	2200	3000	φ76.3	400	55	65	191	87.5



Developing tomorrow for tomorrow's living.
NIPPON TSUSHO CO.,LTD.

2-4-21 Utsubohonmachi Nishi-ku Osaka 550-0004 Japan
 TEL : 81-6-6448-5611 / FAX : 81-6-6448-5834
 E-MAIL : osaka_koki@nipponsusho.co.jp