

# BELLEBANNE®

## E-Type Primary Belt Cleaner

### ●BELT WIDTH

Belle Banne E-Type belt cleaner is suitable for all belt widths from 450mm-2000mm

### ●REVERSING CONVEYOR

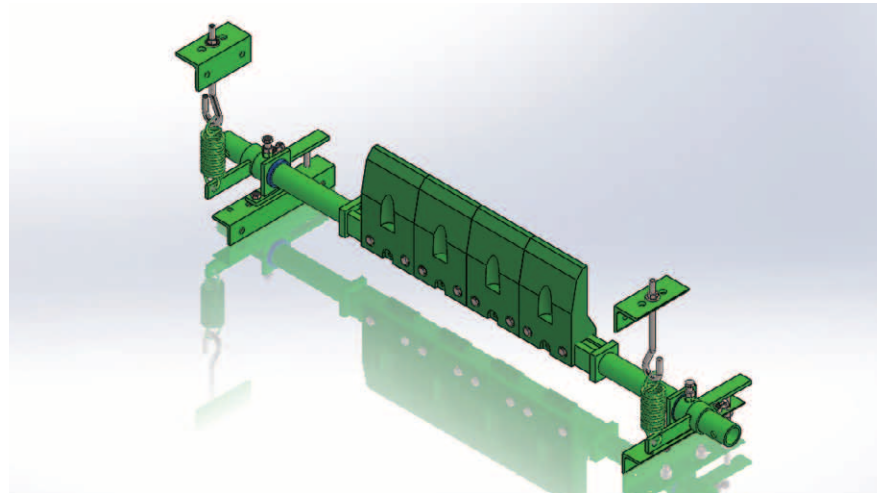
The Belle Banne E-Type belt cleaner can be used on reversing belts. Install one at either end, or one at the primary discharge end of your conveyor.

### ●HEAVY DUTY CONSTRUCTION

Belle Banne cleaner poles are the strongest around. All poles are schedule 80 material, ensuring they are fit for tough mining applications.

### ●STAINLESS STEEL

Belle Banne cleaners are available in either powder coated mild steel, or 304 stainless steel grade available on request.



The Belle Banne E-Type uses the elasticity of rubber for outstanding constant tension to the belt and the E-Type is a belt cleaner that you can count on to clean your conveyor belt safely, no matter what condition of belt you are using.

The E-Type comes with two different types of blades, allowing you to use the optimum one for the application.

The blades can be easily attached and removed. Moreover, the E-Type is a "vibration-free construction" cleaner. Whether it is the only cleaner in use on a conveyor, or the first in a high performance cleaning system, the Belle Banne E-Type belt cleaner should be your first choice.

### FEATURES

#### ■SEGMENTED BLADE

The E-Type belt cleaner consists of individual 150 mm segmented blades. Separate blades ensure constant blade to belt contact on uneven surface, guaranteeing maximum cleaning performance.

#### ■TWO TYPES OF BLADES

The special rubber blades are easy on the belt. The blades with tungsten features long-life.

#### ■OPTIMAL POSITION

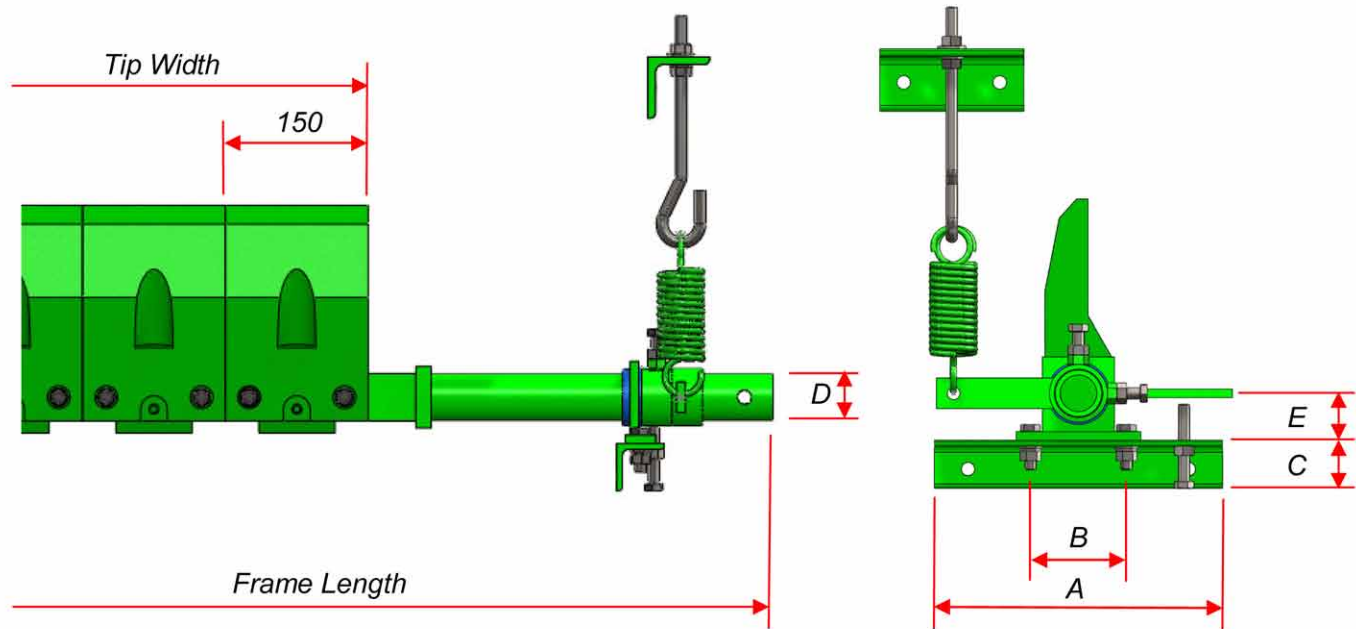
The E-Type is positioned on the head, or discharge pulley, and sits out of the flow of regular material in the conveyor chute or transfer, ensuring the cleaner does not become bogged in material.



Developing tomorrow for tomorrow's living.  
**NIPPON TSUSHO CO.,LTD.**

# E-Type Primary Belt Cleaner

**BELLEBANNE**



Belt (mm)	Tip (mm)	Frame Length (mm)	Frame Dia. D (mm)	A	B	C	E	Weight (kg)
450	300	1150	φ48.6	300	100	50	49	23.5
500	450	1200	φ48.6	300	100	50	49	27.5
600	450	1300	φ48.6	300	100	50	49	28.0
750	600	1450	φ48.6	300	100	50	49	32.5
900	750	1600	φ48.6	300	100	50	49	37.8
1000	900	1700	φ48.6	300	100	50	49	42.0
1050	900	1800	φ48.6	300	100	50	49	42.6
1200	1050	2000	φ48.6	300	100	50	49	47.4
1400	1200	2200	φ60.5	350	150	65	62	59.1
1500	1200	2300	φ60.5	350	150	65	62	59.9
1600	1350	2400	φ60.5	350	150	65	62	64.0
1800	1500	2700	φ60.5	350	150	65	62	69.7
2000	1500	3100	φ60.5	350	150	65	62	72.7



Developing tomorrow for tomorrow's living.  
**NIPPON TSUSHO CO.,LTD.**

2-4-21 Utsubohonmachi Nishi-ku Osaka 550-0004 Japan  
 TEL : 81-6-6448-5611 / FAX : 81-6-6448-5834  
 E-MAIL : osaka\_koki@nipponsusho.co.jp