

# BELLEBANNE®

## P-Type Secondary Belt Cleaner

### ●BELT WIDTH

Belle Banne P-Type belt cleaner is suitable for all belt widths from 450mm-2200mm

### ●REVERSING CONVEYOR

The Belle Banne P-Type belt cleaner is suitable for single direction belt only.

For reversing conveyor belts, we recommend using the Belle Banne R-Type secondary cleaner.

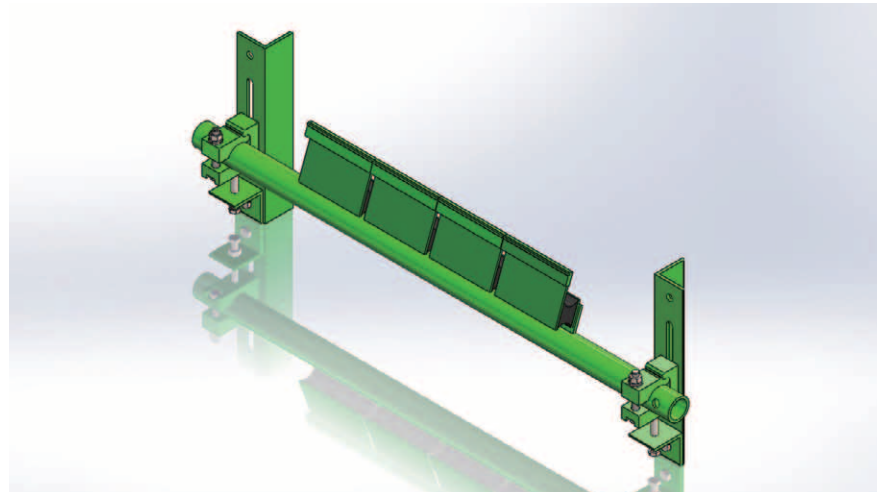
### ●HEAVY DUTY CONSTRUCTION

Belle Banne cleaner poles are the strongest around. All poles are schedule 80 material, ensuring they are fit for tough mining applications.

### ●STAINLESS STEEL

Belle Banne cleaners are available in either powder coated mild steel, or 304 stainless steel grade available on request.

.....



The Belle Banne P-Type secondary belt cleaner has been a successful secondary cleaner for over 30 years. Teamed with Belle Banne primary cleaner, or by itself, it has proved effective in maintaining a clean conveyor belt across diverse applications.

Ideally positioned just back from the head Pulley, the Belle Banne P-Type cleaner is compact enough to fit in most chute Applications and sits close enough to the Pulley to ensure the material fines are Directed back into the regular material flow.

Available in all sizes to suit your belt width, and in a range of materials to optimize life and performance, the Belle Banne P-type belt cleaner is a smart choice if you want to eliminate carryback from your conveyor system.

### FEATURES

#### ■SEGMENTED BLADE

The P-Type belt cleaner consists of individual 150mm segmented blades, each one mounted to a rubber cushion. Separate blades ensure constant blade to belt contact on uneven surface, guaranteeing maximum , cleaning performance.

#### ■LONG LASTING TUNGSTEN

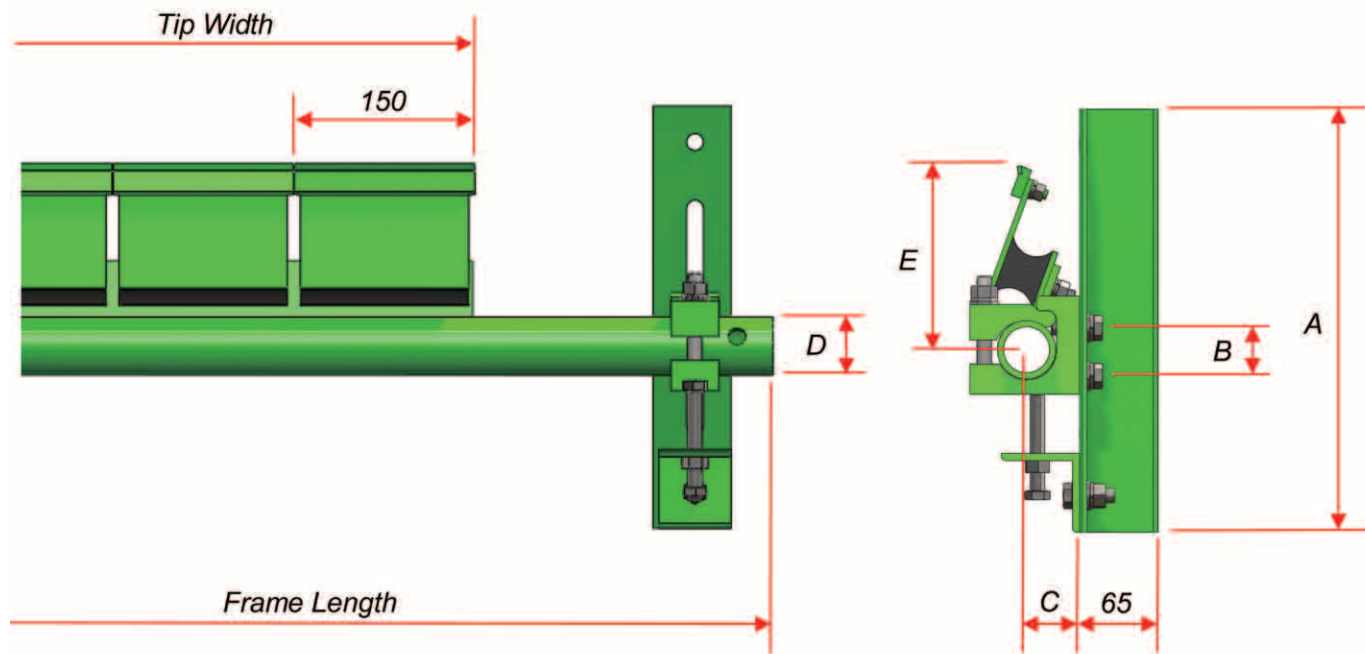
The P-Type belt cleaner consists of individual 150mm segmented blades, each one mounted to a rubber cushion. Separate blades ensure constant blade to belt contact on uneven surface, guaranteeing maximum, cleaning performance.



Developing tomorrow for tomorrow's living.  
**NIPPON TSUSHO CO.,LTD.**

# P-Type Secondary Belt Cleaner

**BELLEBANNE**



Belt (mm)	Tip (mm)	Frame Length (mm)	Frame Dia. D (mm)	A	B	C	E	Weight (kg)
450	450	950	φ48.6	350	40	46	153	18.9
500	450	1000	φ48.6	350	40	46	153	19.2
600	600	1100	φ48.6	350	40	46	153	21.4
750	750	1250	φ48.6	350	40	46	153	22.2
900	900	1400	φ48.6	350	40	46	153	26.3
1000	900	1500	φ48.6	350	40	46	153	26.8
1050	1050	1600	φ48.6	350	40	46	153	29.0
1200	1200	1800	φ60.5	350	50	52	158	36.2
1400	1350	2000	φ60.5	350	50	52	158	39.3
1500	1500	2200	φ60.5	350	50	52	158	42.4
1600	1500	2300	φ60.5	350	50	52	158	43.2
1800	1800	2500	φ76.3	400	55	65	167	62.9
2000	1950	2700	φ76.3	400	55	65	167	66.9
2200	2100	3000	φ76.3	400	55	65	167	72.1



Developing tomorrow for tomorrow's living.  
**NIPPON TSUSHO CO.,LTD.**

2-4-21 Utsubohonmachi Nishi-ku Osaka 550-0004 Japan  
 TEL : 81-6-6448-5611 / FAX : 81-6-6448-5834  
 E-MAIL : osaka\_koki@nipponsusho.co.jp